

## MSL SERIES LED MINI SECURITY LIGHT

Project: \_\_\_\_\_

Fixture Type: \_\_\_\_\_

Location: \_\_\_\_\_

Contact/Phone: \_\_\_\_\_

Cat. No.: \_\_\_\_\_

### PRODUCT DESCRIPTION

The MSL Series LED Security Light is a small and unobtrusive fixture designed to replace small incandescent and CFL fixtures. With a shallow profile, the fixture blends in seamlessly with both architecture and nature. The wide light pattern makes this fixture a great choice for commercial and residential applications where an economical LED security light is needed. The MSL Security Light is recommended for mounting heights of up to 8 feet, for installations above doors, balconies, garage and warehouse entrances, and other applications traditionally lighted with incandescent and CFL fixtures. The MSL Series is rated for outdoor or indoor use.

### PRODUCT SPECIFICATIONS

**Optics** The MSL Series has a white reflector and micro-prism lens that significantly reduces glare, increases visual comfort and acts as an environmental seal, protecting the LED from rain, snow and dust.

**Dark Sky Compliance** The MSL Series is compliant with Dark Sky ordinances.

**Construction** A die cast aluminum housing is sturdy and attractive. Powder coating seals and protects the fixture from the elements • The micro-prism lens is made of acrylic that has a strong resistance to UV rays – ideal for outdoor environments.

**Thermal Management** The LED light source is secured to the aluminum housing that acts as a heat sink • The driver is also mounted directly to the housing to help keep the electronics cool and ensure 50,000 hour L70 performance.

**Electrical** The LED driver is suitable for 120VAC 50/60 Hz  
• An optional photo sensor is available.

**Photo Sensors** The MSL Series can be ordered with an optional photo sensor for automatic dusk to dawn operation  
• Option "PC" is a factory installed button style, photo sensor mounted on the front of the fixture.

**Mounting** Mounts directly to a junction box • The back plate includes knockouts to fit most junction boxes • The installation process takes less than 5 minutes, with a single screw securing the housing to the back plate • Alternatively, the MSL Series has a provision for rear entry of 1/2" conduit.

**Finish** Polyester powder coating protects the housing  
• Available in bronze or white finishes.

**Certifications** Meets UL1598 and CSA C22.2-250 standards  
• Suitable for wet locations • Dark Sky compliant.

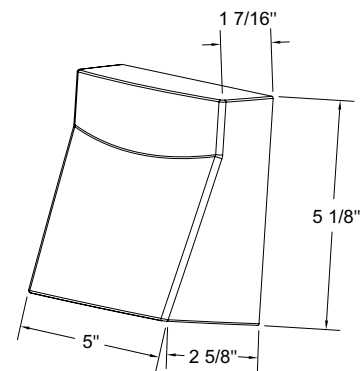
### PRODUCT CODES

Catalog Number	Description	Input Volts	CCT	Delivered Lumens	Input Watts
MSL135K12BZPC	LED Mini Security Light with photo sensor, bronze	120V	3500K	266	6
MSL135K12WHPC	LED Mini Security Light with photo sensor, white	120V	3500K	266	6
MSL135K12BZ	LED Mini Security Light, bronze	120V	3500K	266	6
MSL135K12WH	LED Mini Security Light, white	120V	3500K	266	6

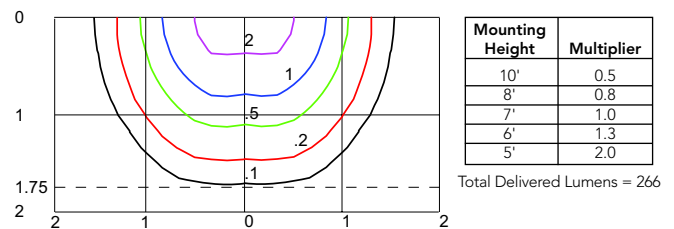


Shown with optional sensor

### DIMENSIONS



### PHOTOMETRY



Distance shown as multiples of mounting height.  
Illumination values shown in footcandles at 7' mounting height.